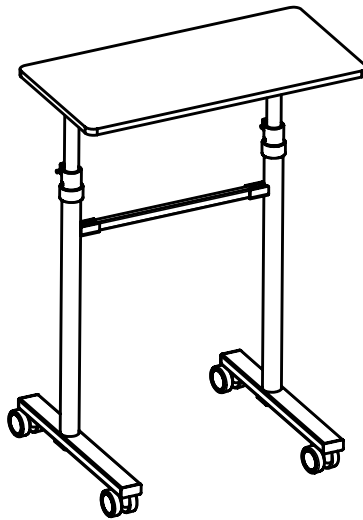




---

## Black Exercise Bike Cart

### Instruction Manual



**SKU: CART-V01BK**



Scan the QR code with your mobile device or follow the link for helpful videos and specifications related to this product.

<https://vivo-us.com/products/cart-v01bk>

---

GET IN TOUCH | Monday-Friday from 7:00am-7:00pm CST



help@vivo-us.com



www.vivo-us.com  
*Chat live with an agent!*



309-278-5303

# **WARNING!**

If you do not understand these directions, or if you have any doubts about the safety of the installation, please call a qualified technician. Check carefully to make sure there are no missing or defective parts. Improper installation may cause damage or serious injury. Do not use this product for any purpose that is not explicitly specified in this manual. Do not exceed weight capacity. We cannot be liable for damage or injury caused by improper mounting, incorrect assembly or inappropriate use.

## **TIPOVER WARNING**

SERIOUS OR FATAL CRUSHING INJURIES CAN OCCUR FROM TIPOVER. TO HELP PREVENT TIPOVER:

- NEVER ALLOW CHILDREN TO CLIMB, STAND, HANG, OR PLAY ON ANY PART OF CART.
- USE TIPOVER RESTRAINT OR ANCHOR CART TO WALL

**USE OF TIPOVER RESTRAINTS MAY ONLY REDUCE, BUT NOT ELIMINATE RISK OF TIPOVER.**

## **WARNING: CHOKING HAZARD**

SMALL PARTS - NOT FOR CHILDREN UNDER 3 YEARS. ADULT SUPERVISION IS REQUIRED.

## PACKAGE CONTENTS



**A (x2)**  
Support Column  
Set



**B (x1)**  
Cross Bar



**C (x2)**  
Foot



**D (x2)**  
Locking Caster



**E (x2)**  
Caster



**F (x1)**  
Desktop



**S-A (x4)**  
M6x25 Screw



**S-B (x8)**  
M6x12 Screw



**S-C (x8)**  
M5x12 Screw



**T-A (x1)**  
Wrench



**T-B (x1)**  
4mm Allen  
Wrench

DO NOT EXCEED WEIGHT CAPACITY.

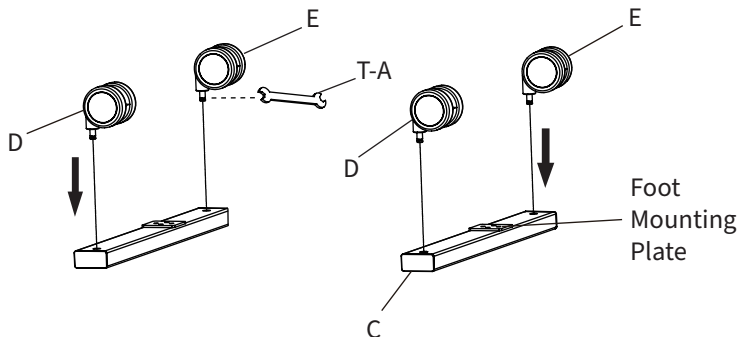
Failure to do so may result in serious injury.



## ASSEMBLY STEPS

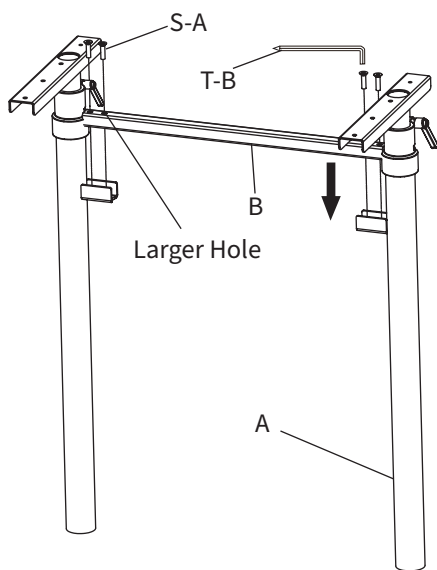
### STEP 1

Decide whether you want the Locking Casters (**D**) to be in the front or rear of the cart. The front of the Feet (**C**) are the holes furthest away from the foot mounting plate. Screw the Casters (**D**, **E**) into the Feet (**C**) using the wrench (**T-A**).



## STEP 2

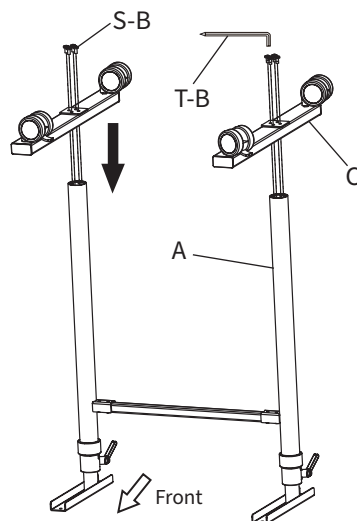
Attach the Cross Bar (**B**) to each of the Support Columns (**A**) using M6x25 Screws (**S-A**). Note that the larger hole in the Cross Bar (**B**) should be facing upwards. Tighten with the 4mm Allen Wrench (**T-B**).



## STEP 3

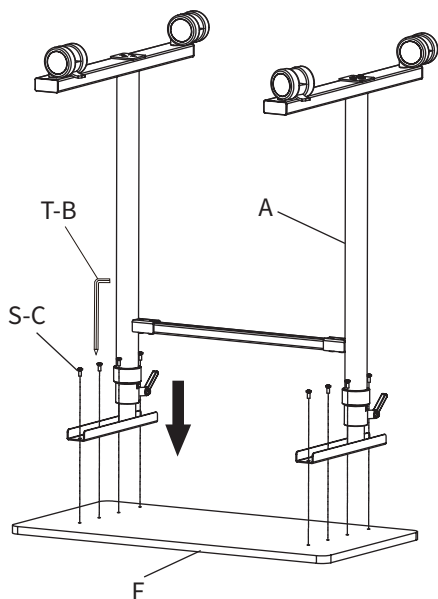
With the column assembly flipped upside down, secure the Feet (**C**) to the Support Columns (**A**) using M6x12 Screws (**S-B**). Tighten with the the 4mm Allen Wrench (**T-B**).

**Note:** make sure the longer end of the foot (**C**) is on the same side as the longer end of the Support Columns (**A**).



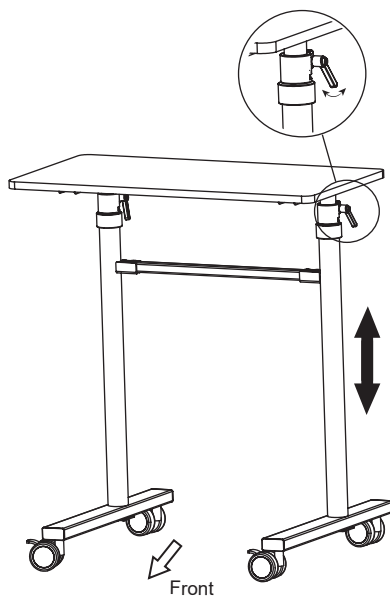
## STEP 4

Attach the Support Columns (**A**) to the Desktop (**F**) using M5x12 Screws (**S-C**). Tighten using the Phillips end of the 4mm Allen Wrench (**T-B**) or a Phillips screwdriver.



## STEP 5

Loosen the levers on the Support Columns (**A**) to adjust the height of the desktop.





Open **Monday - Friday 7:00am - 7:00pm** CST,  
our dedicated support team can offer immediate assistance with rapid response times. If any parts are received damaged or defective, please contact us. We are happy to replace parts to ensure you have a fully functioning product.



309-278-5303

**AVG. RESOLUTION TIME** (*within office hrs*): **5M 4S**



[www.vivo-us.com](http://www.vivo-us.com)  
*Chat live with an agent!*

**AVG. RESOLUTION TIME** (*within office hrs*): **< 15 M**



[help@vivo-us.com](mailto:help@vivo-us.com)

**AVG. RESPONSE TIME** (*within office hrs*): **1HR 8M**

- 23% within < 15m
- 38% within < 30m
- 61% within < 1hr
- 83% within < 2hr
- 92% within < 3hr